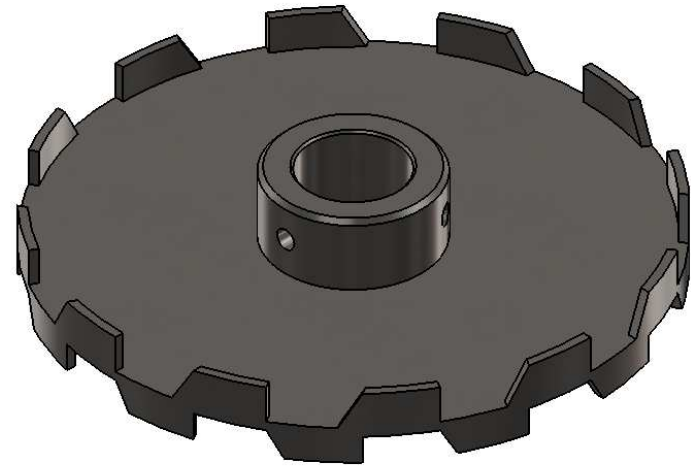
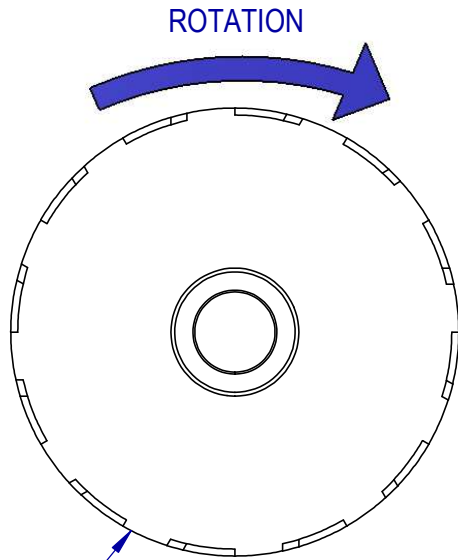
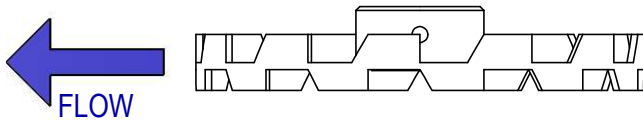


IMPELLER DATA	
MATERIAL	316SS
FLOW	RADIAL
BLADE ANGLE	90° NOMINAL
ATTACHMENT	SET SCREW



IMPELLER DIAMETER



- AVAILABLE UPGRADES**
- 32 Ra SANITARY FINISH
 - 20 Ra SANITARY FINISH
 - 8 Ra SANITARY FINISH

CONTACT FUSION FLUID EQUIPMENT FOR CUSTOM SIZES AND BORES

	NAME	DATE
DRAWN	JDF	7/25/13
CHECKED	TS	7/25/13

PROPRIETARY AND CONFIDENTIAL

THE INFORMATION CONTAINED IN THIS DRAWING IS THE SOLE PROPERTY OF FUSION FLUID EQUIPMENT LLC. ANY REPRODUCTION IN PART OR AS A WHOLE WITHOUT THE WRITTEN PERMISSION OF FUSION FLUID EQUIPMENT LLC IS PROHIBITED.

WHILE FUSION FLUID EQUIPMENT LLC STRIVES TO MAINTAIN THE INTEGRITY OF A DESIGN AS APPROVED, FUSION FLUID EQUIPMENT LLC RETAINS THE RIGHT TO MAKE MODIFICATIONS DURING THE MANUFACTURING PROCESS TO IMPROVE FIT, FORM, AND FUNCTION OF THE DESIGN WITHOUT CUSTOMER NOTIFICATION OR CONSENT.

UNLESS OTHERWISE SPECIFIED:
DIMENSIONS ARE IN INCHES.
NO TOLERANCE IS IMPLIED.
DO NOT SCALE DRAWING



TITLE:
COWLES SAWTOOTH DISPERSER

SIZE	DWG. NO.	REV
A	000000	A
SCALE: 1:4	WEIGHT:	SHEET 1 OF 1